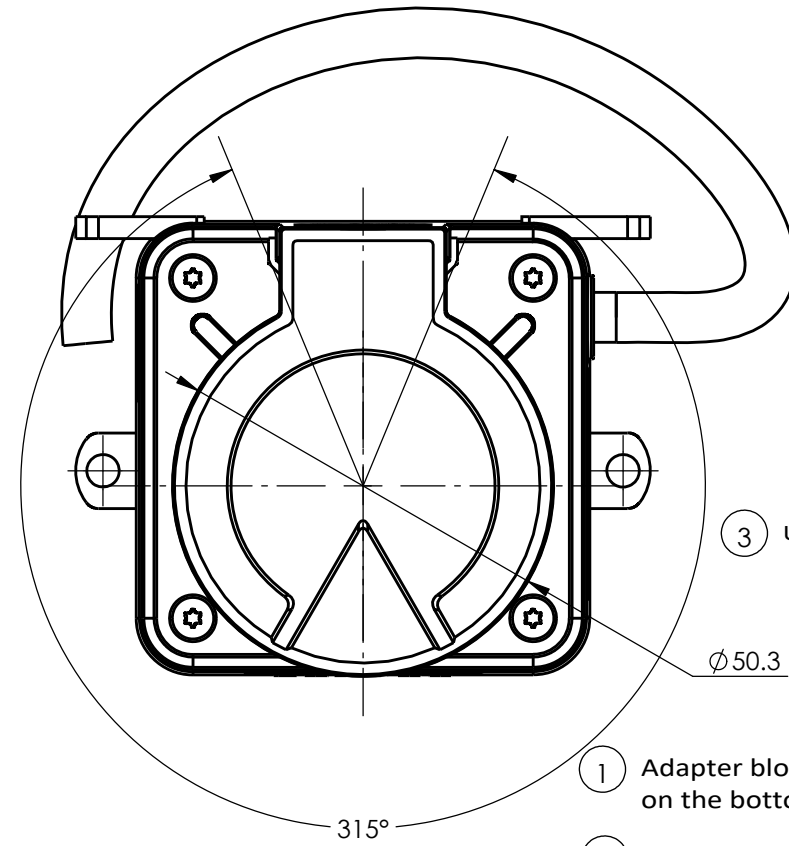
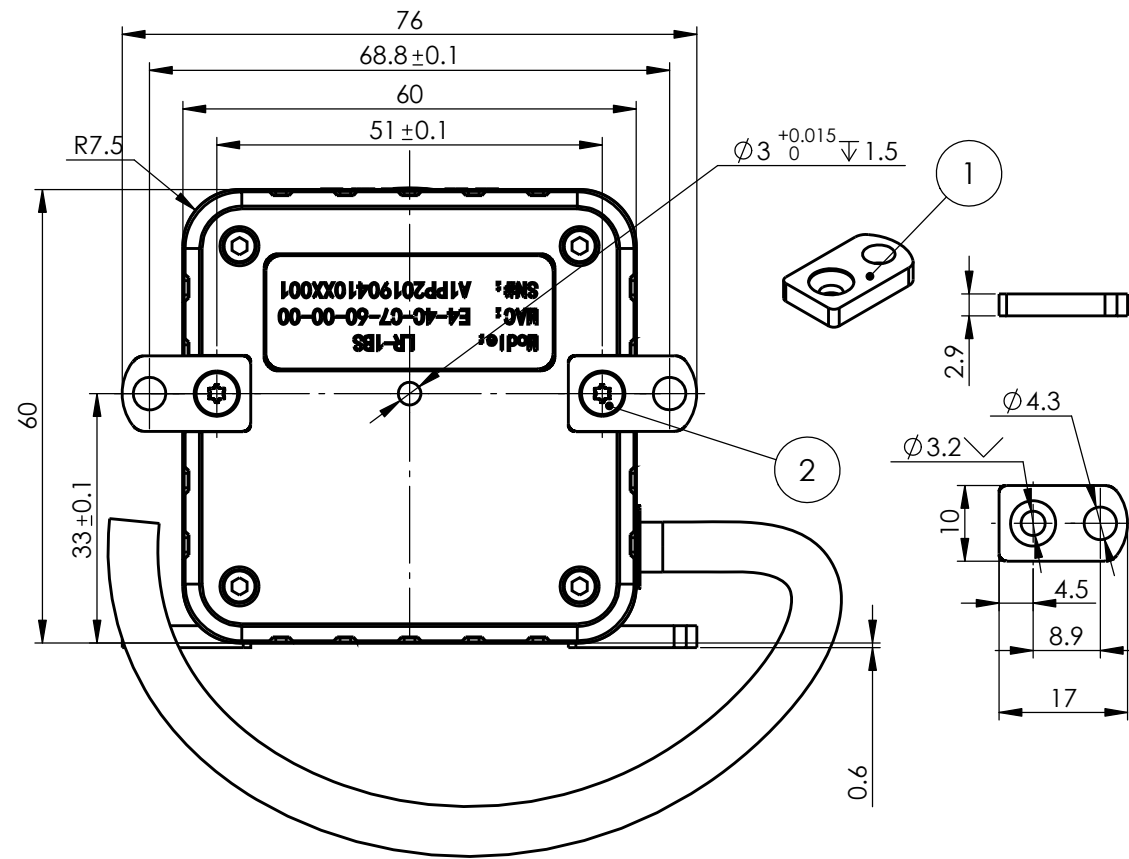
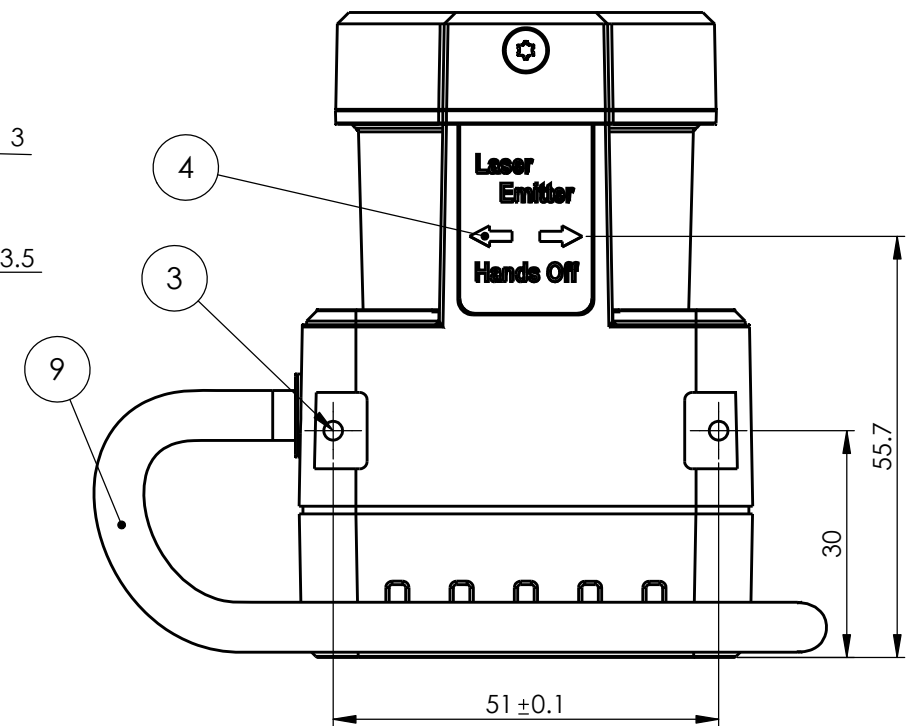
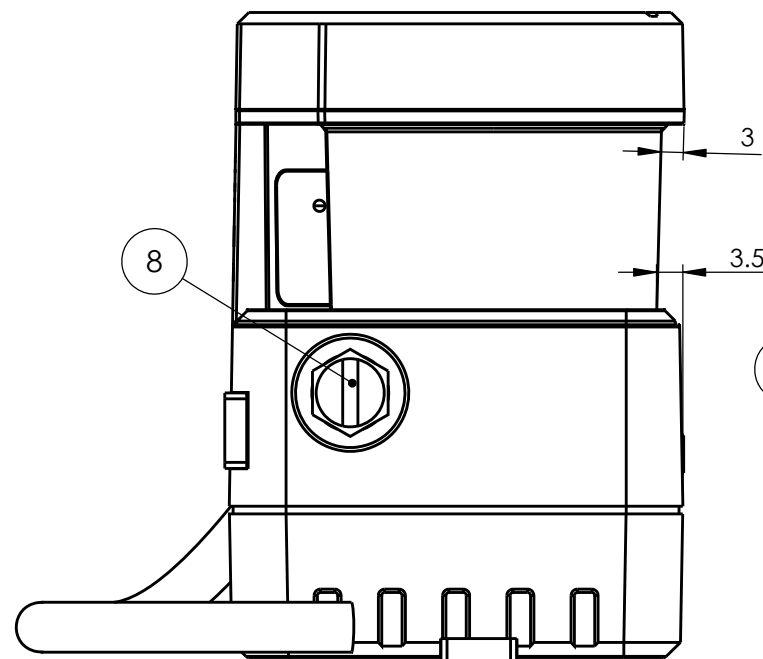
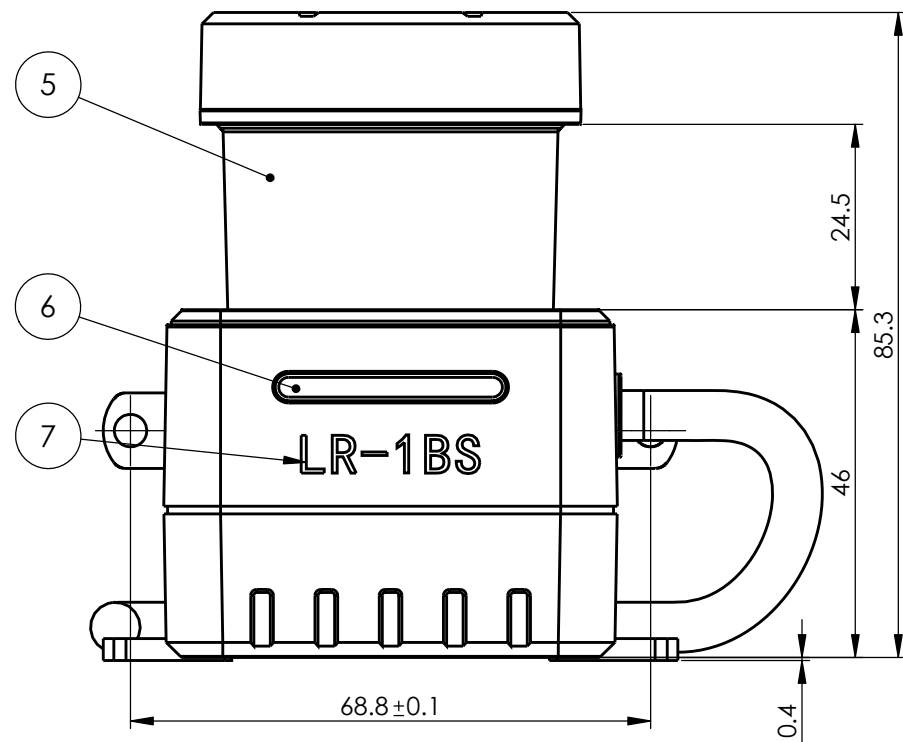


TOP



- ①. 发射窗罩, 透过发射和接收光线。
- ②. 指示灯窗口。
- ③. 型号标识
- ④. M8航空插头, 用于机器调试。
- ⑤. 输出线缆 12芯。

- ① Adapter block, using hexalobular socket countersunk head screws M3x5 fixed on the bottom or back of the housing, 2 pieces/machine
- ② Hexalobular socket countersunk head screws M3x5, for fixing the adapter block, 2 pieces/machine



旧底图总号
底图总号
签字
日期

				LR-1BS1		LR-1BSA.000.000		
						Drawing Mark	Weight	Scale
							315.5693	1:1
Mrak	P C S	ECM.NO	Sigh	Date	NO.	HANGZHOU OLEI-SYSTEMS.CO.,LTD		
Design			Process					
Draw			Standard					
Edit			Approve					
Check			Date		Mould			